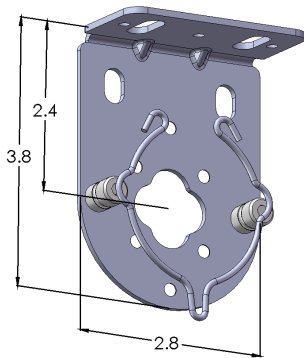


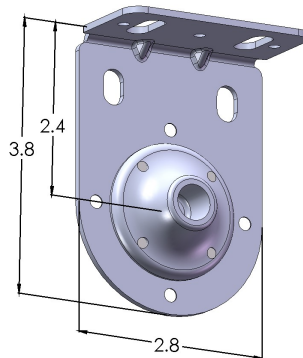
# INDUSTRIES INC.

## BRACKETS FOR MOTORIZED ROLLER SHADES

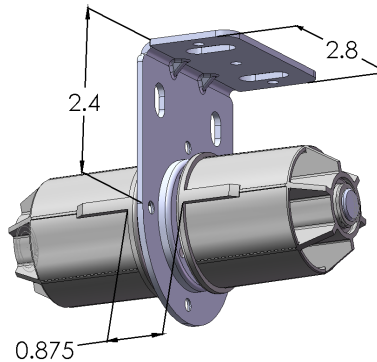
**CIERA Industries Inc**, a USA based company is introducing new, easy to install brackets for motorized roller shades.



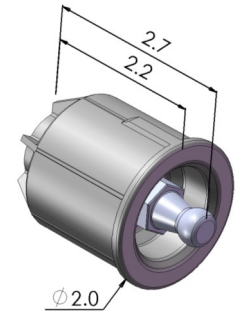
**Motor bracket**



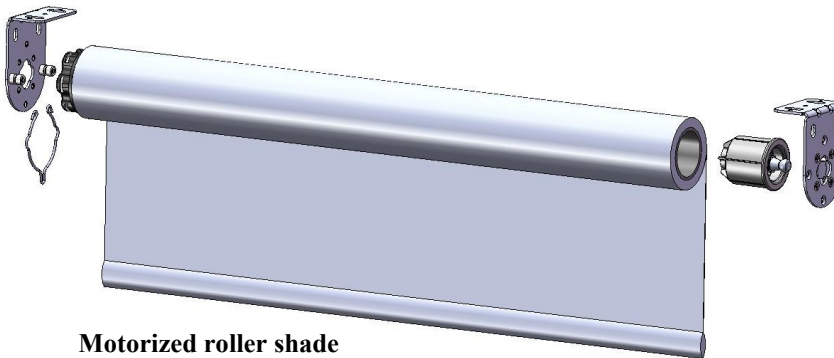
**Idler bracket**



**Coupler bracket assembly**



**Collapsible idler**



**Motorized roller shade**



**Idler-end installation**

### Features and benefits

- Motorized roller shade hardware is designed to work with Somfy star head motors.
- Motor, idler and coupler bracket allow for even 7/8" light gap
- Collapsible idler and coupler assembly fits into 2" plain wall tubes or larger tubes with internal keys.
- Housing of the idler and couplers is made out of very durable Nylon
- Metal components are Zinc plated
- Maximum roll-up diameter - 4 1/8"
- Maximum bracket weight capacity - 40lb

Innovative collapsible idler allows for easy, one person installation by resting ball-end of the spring loaded shaft on the idler, while rotating motor end of the shade into motor bracket.

**CIERA Industries Inc.**  
27902 Brookhaven Place  
Valencia CA 91354

661-263-8505 Phone  
661-263-8305 Fax  
sales@cierainc.com E-mail  
www.cierainc.com