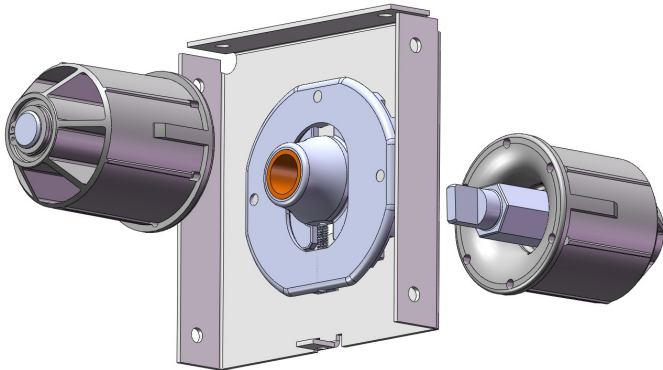


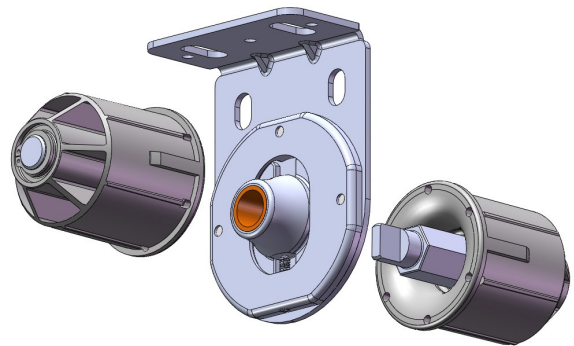
# INDUSTRIES INC.

## ADJUSTABLE HEIGHT COUPLERS FOR MOTORIZED SHADES

**CIERA Industries Inc**, a USA based company is introducing new, easy to install shade coupling brackets for motorized roller shades.



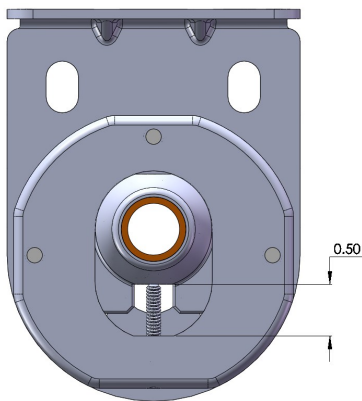
**Adjustable Height 4" Fascia  
Coupler Bracket**



**Adjustable Height Short  
Coupler Bracket**

### Features and benefits:

- Motorized roller shade hardware is designed to work with Somfy star head motors.
- Height of the shade can be adjusted by 1/2"
- eliminating need for shims and reducing installation time.
- Brackets and couplers are design to maintain 7/8" spacing between the shades.
- Brackets are assembled as ceiling mounts as well as left and right side wall mounts.
- Adjustable height option is available in 4" fascia bracket.
- Collapsible idler and coupler assembly fits into 2" plain wall tubes or larger tubes with internal keys.
- Housing of the idler is made out of very durable Nylon material.
- Metal components are Zinc coated to prevent from harmful outside environment.
- Maximum roll-up diameter - 4 1/8" (short brackets).
- Maximum roll-up diameter - 3 7/8" (4" fascia brackets).
- Maximum bracket weight capacity - 40lb.



### Idler end installation

Innovative collapsible idler allows for easy, one person installation by resting boll-end of the spring loaded shaft on the idler while rotating motor end of the shade into motor bracket

**CIERA Industries Inc.**  
27902 Brookhaven Place  
Valencia CA 91354

661-263-8505 Phone  
661-263-8305 Fax  
sales@cierainc.com E-mail