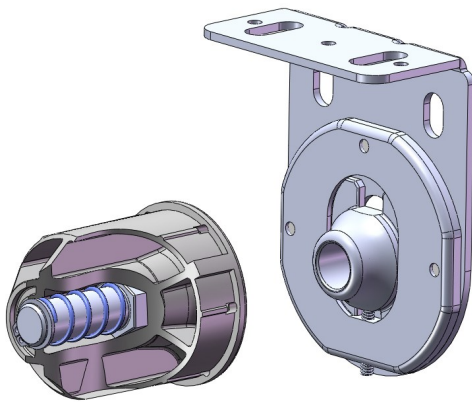


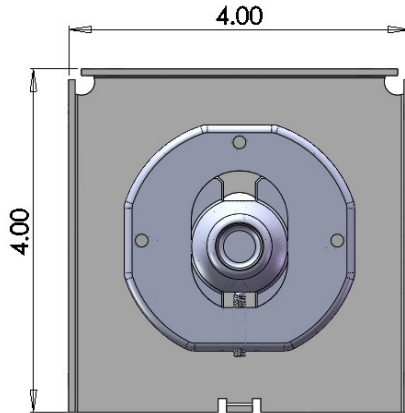
INDUSTRIES INC.

ADJUSTABLE HEIGHT BRACKETS FOR MOTORIZED SHADES

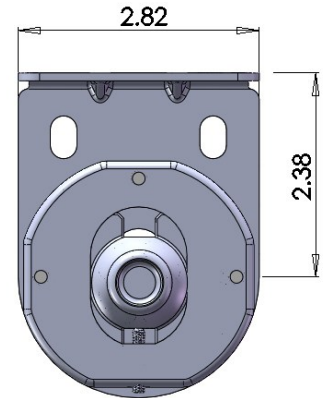
CIERA Industries Inc, a USA based company is introducing new, easy to install adjustable height brackets for motorized shades.



Adjustable Height Short Idler Bracket With Spring Loaded Idler



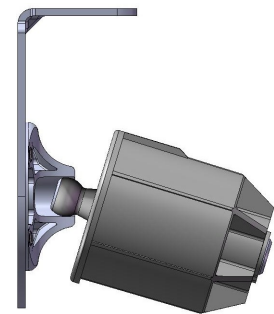
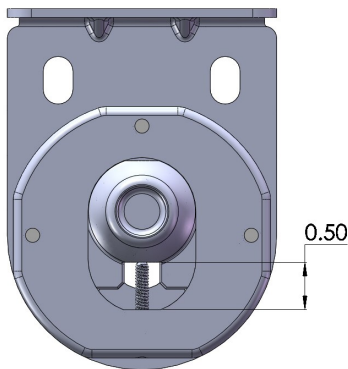
Adjustable height 4" Fascia Idler Bracket



Adjustable Height Short Idler Bracket

Features and benefits:

- Motorized roller shade hardware is designed to work with Somfy star head motors.
- Height of the shade can be adjusted by 1/2" eliminating need for shims reducing installation time.
- Brackets are design to maintain 7/8" light gap.
- Brackets are assembled as ceiling mounts as well as left and right side wall mounts.
- Adjustable height option is available in 4" fascia bracket.
- Collapsible idler assembly fits into 2" plain wall tubes or larger tubes with internal keys.
- Housing of the idler is made out of very durable Nylon material.
- Metal components are Zinc coated to prevent from harmful outside environment.
- Maximum roll-up diameter - 4 1/8" (short brackets).
- Maximum roll-up diameter - 3 7/8" (4" fascia brackets).
- Maximum bracket weight capacity - 40lb.



Idler end installation

Innovative collapsible idler allows for easy, one person installation by resting boll-end of the spring loaded shaft on the idler while rotating motor end of the shade into motor bracket.

CIERA Industries Inc.
27902 Brookhaven Place
Valencia CA 91354

661-263-8505 Phone
661-263-8305 Fax
sales@cierainc.com E-mail